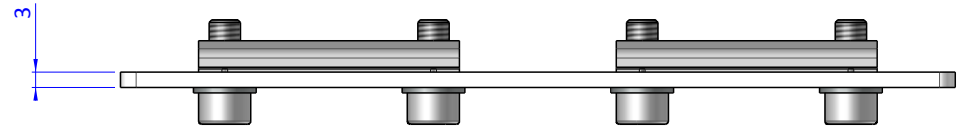
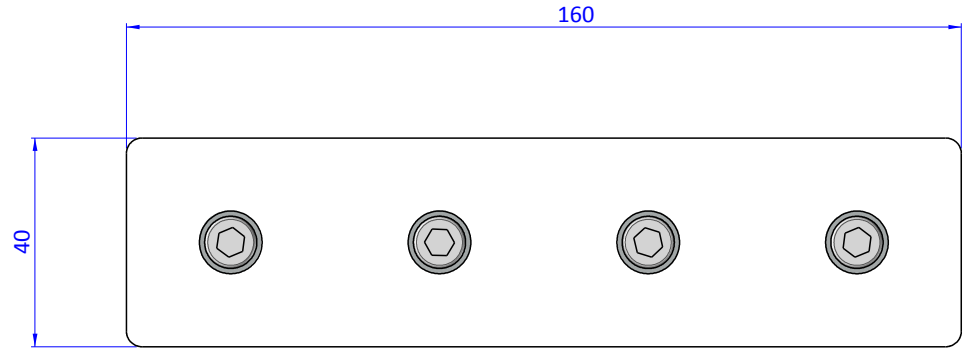
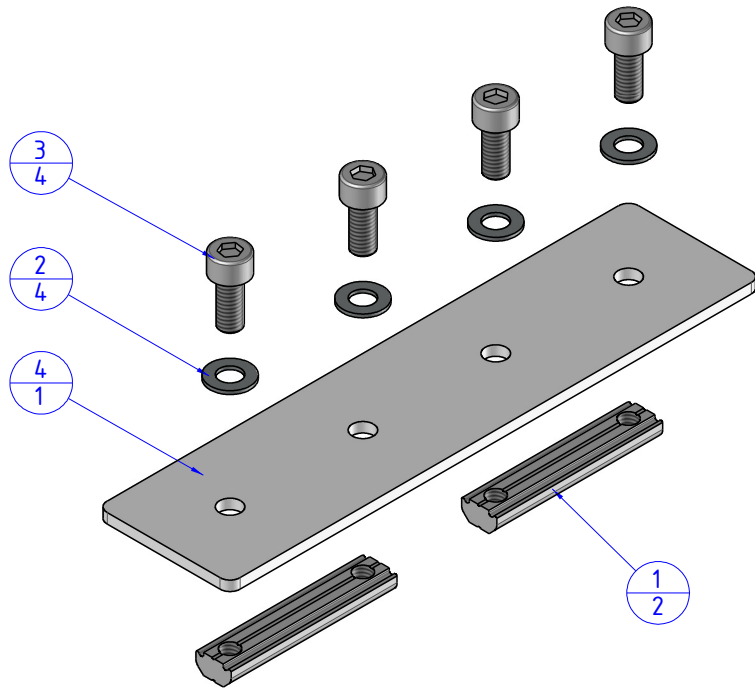


THE PROPERTY OF THE DRAWING IS ESTABLISHED BY LAW. IT IS FORBIDDEN TO PRODUCE OR SHOW IT TO THIRD PARTY, WITHOUT A WRITTEN AGREEMENT.

Item	Name	Q. ty
1	CA.GWP.6.40	2
2	R.6	4
3	V.TCE6x14	4
4	VBG.JU.40.160	1



Format A3

UNI 936-76

FP SERVICES AUTOMATION		DESIGNED FROM FPSERVICES		REVIEW A
GENERAL TOLERANCE UNI - ISO 2768 CLASSE f		DATE 30/04/2016	WEIGHT 0.215kg	
		CODE CA.VBG.JU.40.160		CA.VBG.JU.40.160